

## XTX Series Extra Heavy Duty Portable Rectangular Utility Table with Lumber Top



**Model XTX/CB-6UP 6 Ft. Extra Heavy Duty**  
Portable Rectangular Utility Table with black powder coated frames  
and Untreated Southern Yellow Pine Planks

- **Constructed specifically for heavy use areas**
- **All welded end frames are fabricated from 2-3/8" diameter steel pipe**
- **Die-formed center channel and diagonal braces align and strengthen entire table**
- **Frames are hot dip galvanized after fabrication for superior corrosion resistance**
- **Precision drilled, Untreated #1 Southern Yellow Pine Top Planks**

### **SPECIFICATIONS:**

- **XTX Series** end frames are one-piece welded construction, fabricated from 2.375" O.D. (2-3/8" O.D.) steel pipe to meet 2" nominal steel pipe size specifications with 2" x 2" x 3/16" A-36 structural grade steel angle for attaching the top. Frame foot is formed with flattened and rounded ends. A 9/16" hole is provided in each end of foot for optional surface mounting with concrete anchors (anchors not included).
- **Model XTX/G-6** has a nom. 6 ft. length.
- **Model XTX/G-8** has a nom. 8 ft. length.
- **Model XTX/G-10** has a nom. 10 ft. length and includes an additional center frame.
- Nominal table height is 30".
- Frames are supported by diagonal braces of 1-5/16" O.D. steel pipe that connect to a die-formed steel channel designed to align and provide attachment to the table top.
- **Standard:** All steel frame components are hot-dip galvanized after fabrication to ASTM-A123 to maintain an average zinc coating of 2.0 oz. per sq. ft. of surface area (indicated by "/G" in model no., e.g. XTX/G-6UP).
- **Standard:** Lumber is Untreated #1 grade Southern Yellow Pine (indicated by "UP" in model no., e.g. XTX/G-6UP) 2" x 10" nominal sized planks, kiln dried to reduce moisture content. All lumber is precision drilled for assembly and has all exposed edges removed to a 3/8" radius.
- All fasteners are provided for assembly.
- **Optional:** Color choices of powder coated steel frame components. See Specification Bulletin #SPC-CO-001.
- **Optional:** Treated #1 Southern Yellow Pine is readily available and is pressure treated and kiln dried after treatment (KDAT) to preserve wood against decay. To specify, change "UP" in model no. to "TP", e.g. XTX/G-6TP. (Cedar, Fir, and Redwood are available when in stock – please inquire.)

### **AVAILABLE OPTIONS**

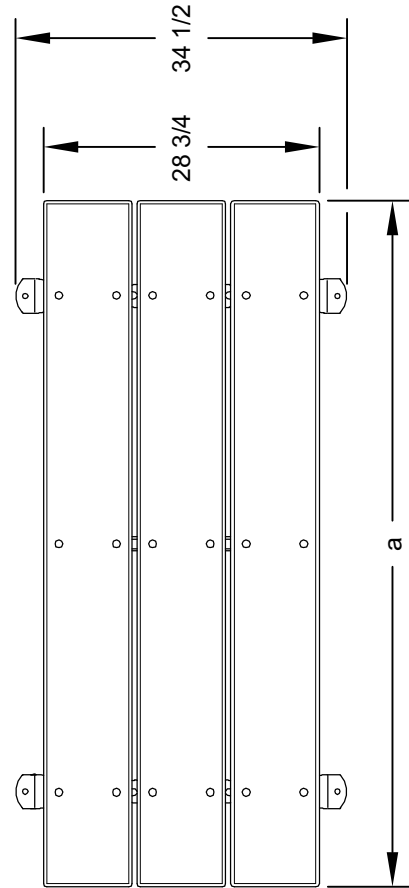
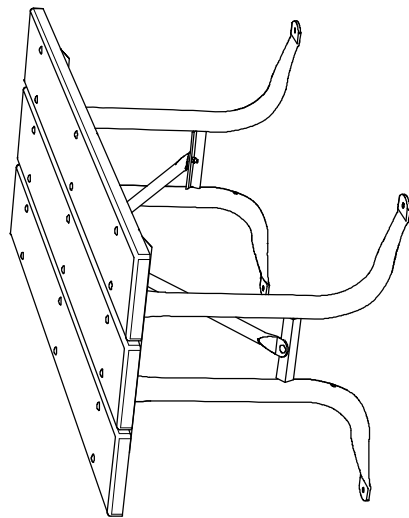
- 6', 8', or 10' lengths
- Powder Coat Finish in choice of colors for steel frame components
- Pressure treated #1 Southern Yellow Pine lumber (Cedar, Fir, or Redwood lumber when in stock)

### **RJThomas Mfg. Co., Inc.**

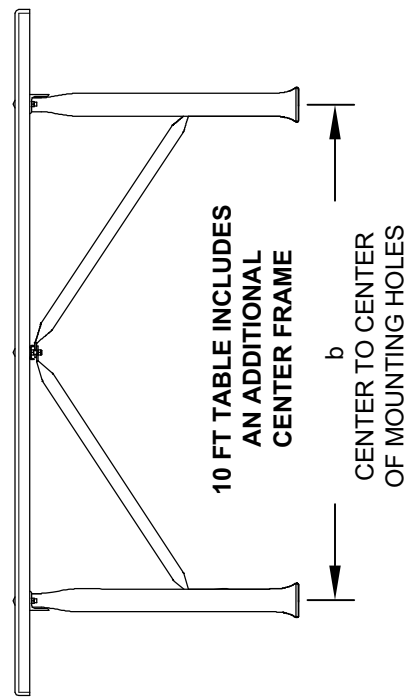
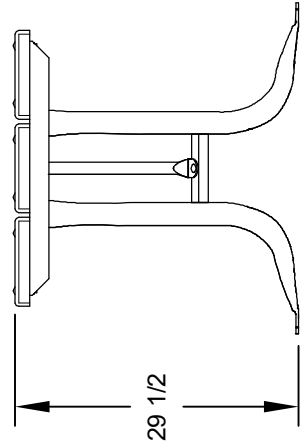
PO Box 946 • Cherokee, IA 51012-0946 • PH: 712-225-5115 • 800-762-5002 • FAX: 712-225-5796

E-Mail: [pilotrock@rjthomas.com](mailto:pilotrock@rjthomas.com) • Web Site: <http://www.pilotrock.com>

© 2011 RJThomas Mfg. Co., Inc. PILOT ROCK® Park Products is a registered trademark of RJThomas Mfg. Co., Inc.



MODEL	DIMENSIONS		CENTER FRAME
	a	b	
XTX-6	71 1/2	51 3/4	NO
XTX-8	95	70	NO
XTX-10	119	51 3/4	YES



ALL DIMENSIONS IN INCHES

**RJ Thomas Mfg. Co., Inc.**  
 P.O. Box 946 • Cherokee, IA 51012-0946

DRAWN BY  
**WWM**

TITLE XTX SERIES 6, 8, AND 10 FT PORTABLE, RECTANGULAR UTILITY TABLE WITH LUMBER TOP

DATE 3-11-11

DWG. NO. **AI-2000**